

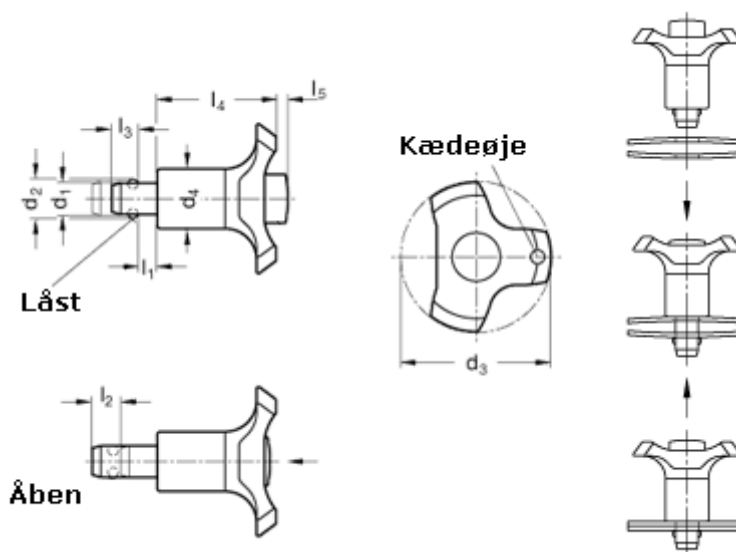
Data Sheet



Article number: 20147002

Description: E+G Stainless Steel-Ball lock pin
GN 113.1-6-0

Measures



Bore diameter = 6

d1 = 6

d2 = 7

d3 = 38

d4 = 17,5

l1 = 0 til 5mm

l2 = 5

l3 = 5

l4 = 30

l5 = 3

Resilience (N) = 16 / 18